

XPand1405

Development Platform for X-ES COM Express® Basic (Type 7) Modules

- › Single COM Express® site with AB and CD connectors
- › For COM Express® Basic (Type 7) module development
- › One 10/100/1000BASE-T Gigabit Ethernet port
- › Four USB 3.0 ports
- › Two micro-DB-9 serial ports
- › Four 10GBASE-KR Ethernet ports via single QSFP+ connector
- › One PCI Express Gen3 switch
- › Three PCIe Edge card sites, available as one x16 and two x8
- › Two internal SATA ports (not currently supported on XPedite7750)
- › Full I/O access via rear panel I/O cutout
- › Standard ATX power supply
- › Headers for easy access to internal buses (LPC, I²C, SMBus, SPI)
- › Single XMC site (J15 only)
- › One M.2 2280 site with one x4 PCI Express Gen3-capable interface



XPand1405

The XPand1405 COM Express® development platform targets the XPedite7750 and other X-ES COM Express® Basic (Type 7) modules to enable early development and rapid prototyping, offering a convenient desktop setup with standard I/O connectors. The XPand1405 provides access to the I/O available on the COM Express® module and makes for an easy transition from development to the target system or custom COM Express® carrier card.

The XPand1405 provides basic COM Express® I/O via fixed connectors, which are accessible through the back panel of its ATX chassis. The open-sided design and clear panels support access to internal I/O for easy and rapid development.

Integrated fans provide ample airflow for even the most powerful modules.

X-ES

Extreme Engineering Solutions

*“Fast, Flexible, Customer-Focused
Embedded Solutions”*

Extreme Engineering Solutions

9901 Silicon Prairie Parkway • Verona, WI 53593
Phone: 608.833.1155 • Fax: 608.827.6171
sales@xes-inc.com • <https://www.xes-inc.com>

COM Express®

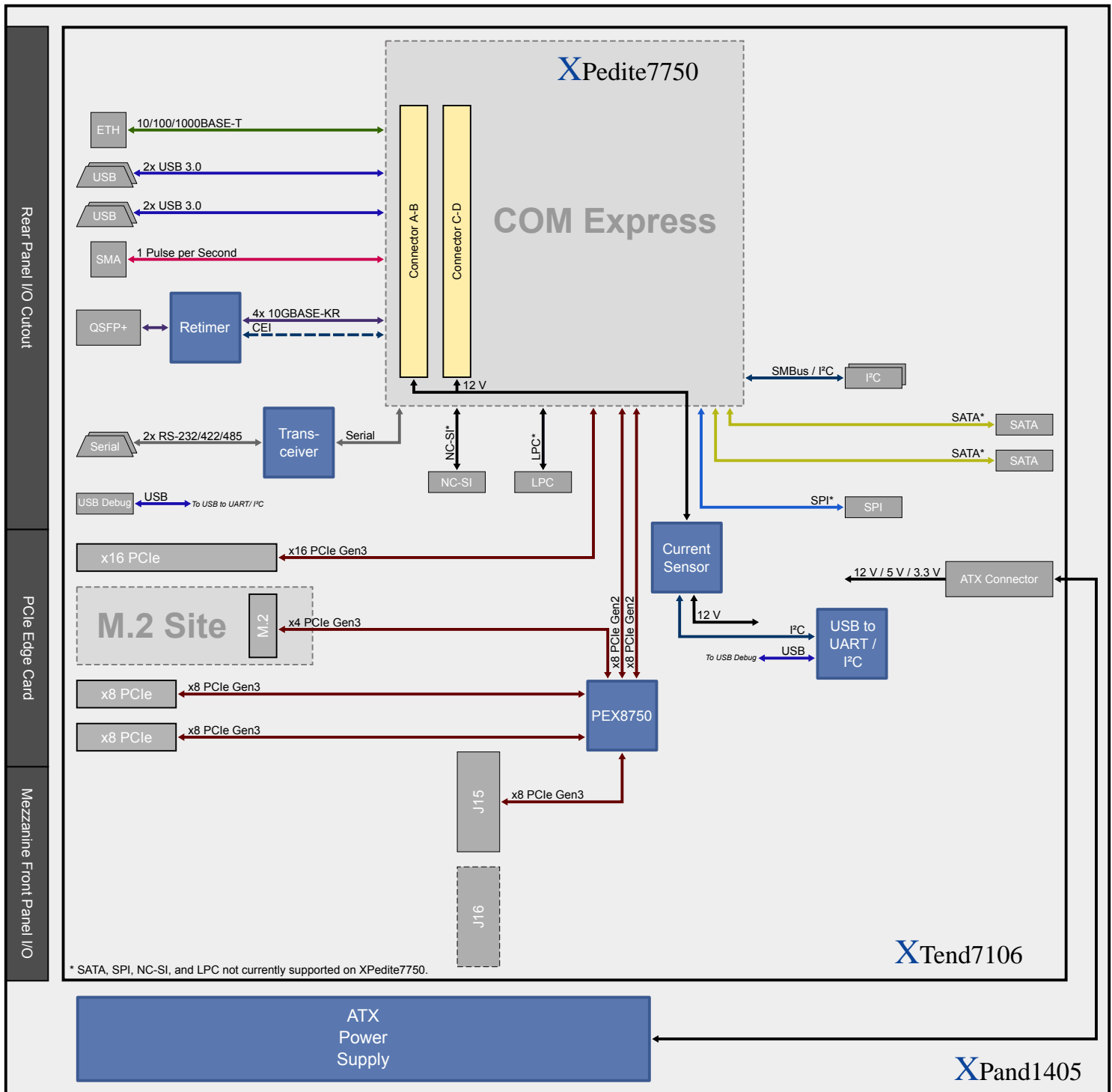
- Supports COM Express® Basic (Type 7) modules
- Carrier card provides cutout for access to debug COM Express® modules

Internal I/O

- GPIO
- I²C / SMBus
- JTAG
- One M.2 2280 site with one x4 PCI Express Gen3-capable interface
- Two SATA ports (not currently supported on XPedite7750)
- SPI programming header (not currently supported on XPedite7750)
- NC-SI header (not currently supported on XPedite7750)
- LPC header (not currently supported on XPedite7750)

COM Express® Rear I/O

- One RJ-45 Gigabit Ethernet port
- Four USB 3.0 ports
- Two micro-DB-9 serial ports
- Three PCIe Edge card sites, available as one x16 and two x8
- Four 10GBASE-KR Ethernet ports via transceiver and QSFP+ connector
- XMC site (J15 only) with one x8 PCI Express Gen3-capable interface



* SATA, SPI, NC-SI, and LPC not currently supported on XPedite7750.